

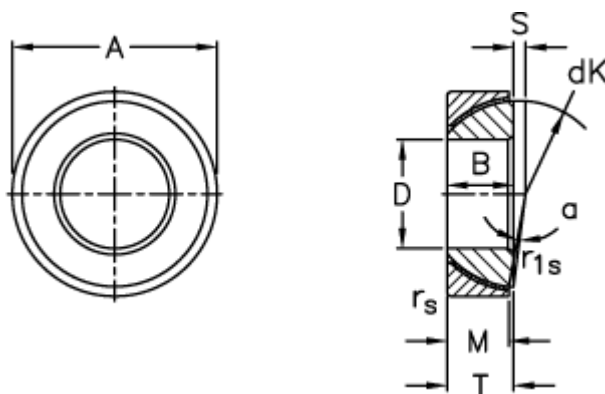
Data Sheet



Article number: 03510065

Description: Fluro Rod end GE 65SW

Measures



A = 100 0 -0,018

B = 23

D = 65 0 -0,015

dK = 93.5

Dynamic load C (kN) = 345

M = 22

rs, r1s min = 1.1

S = 6.5

Static load C0 (kN) = 690

T = 23 +0,25 -0,50

Tilt angle = 1

Weight = 759